

PLEASE CHECK WWW.MOLEX.COM FOR LATEST PART INFORMATION

Part Number: [0719792704](#)
Status: **Active**
Overview: [cgrid_sl_products](#)
Description: 2.54mm (.100") Pitch C-Grid® Receptacle, Surface Mount, Dual Row, Right Angle, 8 Circuits

Documents:

[3D Model](#) [Product Specification PS-71973-9999 \(PDF\)](#)
[Drawing \(PDF\)](#) [RoHS Certificate of Compliance \(PDF\)](#)

General

Product Family PCB Receptacles
 Series [71979](#)
 Application Board-to-Board
 Overview [cgrid_sl_products](#)
 Product Name C-Grid®

Physical

Circuits (Loaded) 8
 Glow-Wire Compliant No
 Material - Metal Phosphor Bronze
 Material - Plating Mating Gold
 Material - Plating Termination Tin
 Material - Resin High Temperature Thermoplastic
 Number of Rows 2
 Orientation Right Angle
 PCB Locator Yes
 PCB Retention Yes
 Packaging Type Tube
 Pitch - Mating Interface (in) 0.100 In
 Pitch - Mating Interface (mm) 2.54 mm
 Pitch - Term. Interface (in) 0.100 In
 Pitch - Term. Interface (mm) 2.54 mm
 Plating min: Mating (µin) 30
 Plating min: Mating (µm) 0.76
 Plating min: Termination (µin) 75
 Plating min: Termination (µm) 1.90
 Polarized to PCB No
 Stackable Yes
 Temperature Range - Operating -40°C to +105°C
 Termination Interface: Style Surface Mount

Electrical

Current - Maximum per Contact 1A, 2A, 3A
 Voltage - Maximum 500V AC

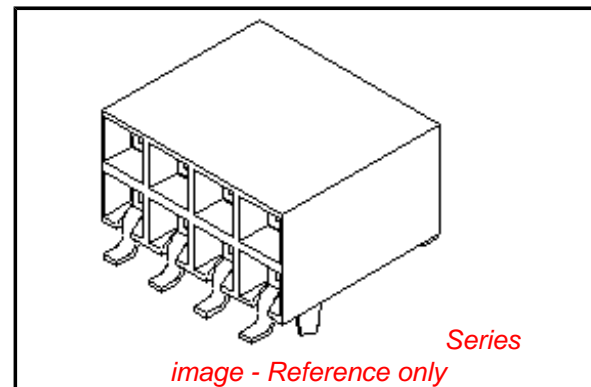
Solder Process Data

Duration at Max. Process Temperature (seconds) 10
 Lead-free Process Capability Reflow Capable (SMT only)
 Max. Cycles at Max. Process Temperature 3
 Process Temperature max. C 260

Material Info

Reference - Drawing Numbers

Product Specification PS-71973-9999



EU RoHS

**ELV and RoHS
Compliant**
**REACH SVHC
Contains SVHC: No**
**Halogen-Free
Status
Not Reviewed**

China RoHS



**Need more information on product
environmental compliance?**

Email productcompliance@molex.com
 For a multiple part number RoHS Certificate of Compliance, [click here](#)

Please visit the [Contact Us](#) section for any non-product compliance questions.

Search Parts in this Series

[71979Series](#)

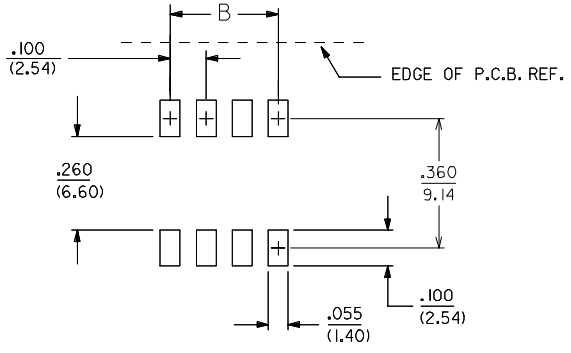
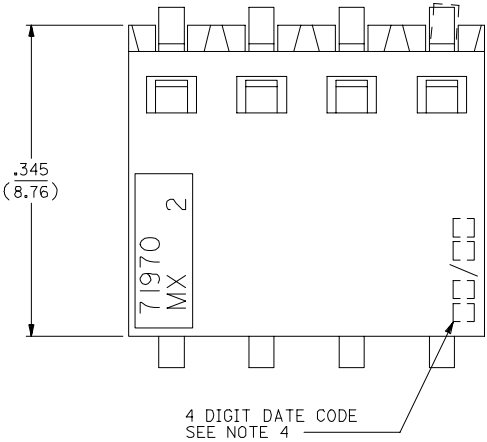
Mates With

[87911 Header](#)

This document was generated on 05/31/2010

PLEASE CHECK WWW.MOLEX.COM FOR LATEST PART INFORMATION

13 12 11 10 9 8 7 6 5 4 3 2 1



NOTES:

- 1.) MATERIALS:
HOUSING - LCP, 94V-0, BLACK
TERMINAL - PHOS. BRONZE ALLOY
- 2.) 8 CKT FOR ILLUSTRATION PURPOSES.
SEE CHART ON SHEET 10 FOR OTHER SIZES.
- 3.) SCRATCHES AND BURNISHING ALLOWED ON
TERMINAL TAILS PROVIDING BASE METAL
IS NOT EXPOSED.
- 4.) MANUFACTURED DATE CODE WEEK/YEAR.
- 5.) RECOMMENDED MATING PIN LENGTHS:
LOWER ROW - .200" MIN./ .250" MAX.
UPPER ROW - .200" MIN.
- 6.) REFER TO PS-71973-9999 FOR PERFORMANCE DATA.

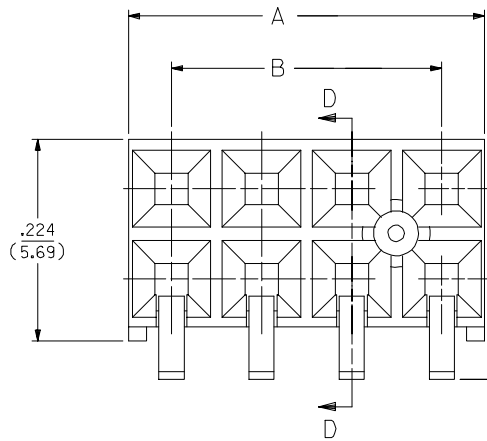
RECOMMENDED P.C.B. LAYOUT

SCALE 4:1

PLATING:

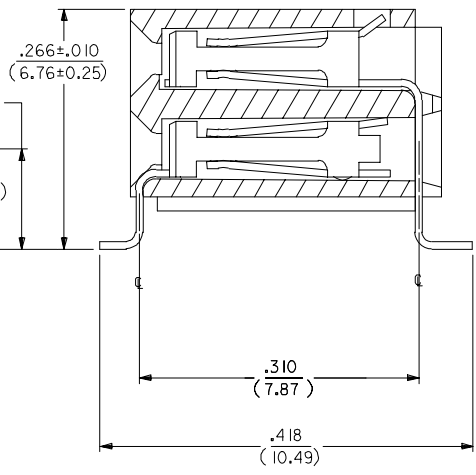
- 15 GOLD 15 MICROINCH MINIMUM SELECTIVE GOLD IN THE CONTACT AREA; 75 MICROINCH MINIMUM SELECTIVE TIN IN THE PC TAIL AREA OVER 50 MICROINCH MINIMUM NICKEL OVERALL.
- 30 GOLD 30 MICROINCH MINIMUM SELECTIVE GOLD IN THE CONTACT AREA; 75 MICROINCH MINIMUM SELECTIVE TIN IN THE PC TAIL AREA OVER 50 MICROINCH MINIMUM NICKEL OVERALL.
- 50 GOLD 50 MICROINCH MINIMUM SELECTIVE GOLD IN THE CONTACT AREA; 75 MICROINCH MINIMUM SELECTIVE TIN IN THE PC TAIL AREA OVER 50 MICROINCH MINIMUM NICKEL OVERALL.

*THE PRIMARY SHIPPING CARTON WILL BE LABELED *COMPLIANT TO RoHS DIRECTIVE 2002/95/EC AND ELV ANNEX II OF DIRECTIVE 2000/53/EC*. CARTONS WITHOUT THIS LABEL MAY CONTAIN PRODUCT WITH LEAD.



OPTION D ASSEMBLY

(ASSEMBLY WITHOUT PEG AND WITH LOWER ROW PINSTOP)



SECTION D-D

CORRECT NOTE 2 EC NO: UCP2007-0113 DRAWN: JORGAN 2006/08/07 CHKD: MS BARRA 2006/08/16 APPR: SMILLER 2006/08/18 REVISION DESCRIPTION	QUALITY SYMBOLS	GENERAL TOLERANCES (UNLESS SPECIFIED)	DIMENSION STYLE	SCALE	DESIGN UNITS	THIRD ANGLE PROJECTION
	$\nabla=0$ $\sphericalangle=0$	mm INCH 4 PLACES ± --- ± --- 3 PLACES ± --- ± .010 2 PLACES ± 0.25 ± --- 1 PLACE ± --- ± --- ANGULAR ±1/2°	IN/MM	10:1	INCH	
		DRAFT WHERE APPLICABLE MUST REMAIN WITHIN DIMENSIONS	DRAWN BY DATE DJB 1995/03/15	TITLE		
			CHECKED BY DATE			

APPROVED BY DATE	MATERIAL NO.	DOCUMENT NO.	SHEET NO.
	SEE SHEET 10	SDA-71979-****	4 OF 12
THIS DRAWING CONTAINS INFORMATION THAT IS PROPRIETARY TO MOLEX INCORPORATED AND SHOULD NOT BE USED WITHOUT WRITTEN PERMISSION			

SMT RECEPTACLE-RIGHT ANGLE DUAL ROW WITH AND WITHOUT PEG

MOLEX MOLEX INCORPORATED

12 11 10 9 8 7 6 5 4 3 2 1

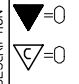
NO. OF CKTS	OPTION D ASSEMBLY						DIMENSION	
	PLATINGS PER ES-88-(***) (SEE SHEET I FOR PLATING SPECIFICATIONS)						A	B
	PER ROW	TOTAL	15 GOLD	30 GOLD	50 GOLD			
4	8		71979-2604	71979-2704	71979-2804	.395 (10.03)	.300 (7.62)	
5	10		71979-2605	71979-2705	71979-2805	.495 (12.57)	.400 (10.16)	
6	12		71979-2606	71979-2706	71979-2806	.595 (15.11)	.500 (12.70)	
7	14		71979-2607	71979-2707	71979-2807	.695 (17.65)	.600 (15.24)	
8	16		71979-2608	71979-2708	71979-2808	.795 (20.19)	.700 (17.78)	
9	18		71979-2609	71979-2709	71979-2809	.895 (22.73)	.800 (20.32)	
10	20		71979-2610	71979-2710	71979-2810	.995 (25.27)	.900 (22.86)	
11	22		71979-2611	71979-2711	71979-2811	1.095 (27.81)	1.000 (25.40)	
12	24		71979-2612	71979-2712	71979-2812	1.195 (30.35)	1.100 (27.94)	
13	26		71979-2613	71979-2713	71979-2813	1.295 (32.89)	1.200 (30.48)	
14	28		71979-2614	71979-2714	71979-2814	1.395 (35.43)	1.300 (33.02)	
15	30		71979-2615	71979-2715	71979-2815	1.495 (37.97)	1.400 (35.56)	
16	32		71979-2616	71979-2716	71979-2816	1.595 (40.51)	1.500 (38.10)	
17	34		71979-2617	71979-2717	71979-2817	1.695 (43.05)	1.600 (40.64)	
18	36		71979-2618	71979-2718	71979-2818	1.795 (45.59)	1.700 (43.18)	
19	38		71979-2619	71979-2719	71979-2819	1.895 (48.13)	1.800 (45.72)	
20	40		71979-2620	71979-2720	71979-2820	1.995 (50.67)	1.900 (48.26)	
21	42		71979-2621	71979-2721	71979-2821	2.095 (53.21)	2.000 (50.80)	
22	44		71979-2622	71979-2722	71979-2822	2.195 (55.75)	2.100 (53.34)	
23	46		71979-2623	71979-2723	71979-2823	2.295 (58.29)	2.200 (55.88)	
24	48		71979-2624	71979-2724	71979-2824	2.395 (60.83)	2.300 (58.42)	
25	50		71979-2625	71979-2725	71979-2825	2.495 (63.37)	2.400 (60.96)	
26	52		71979-2626	71979-2726	71979-2826	2.595 (65.91)	2.500 (63.50)	
27	54		71979-2627	71979-2727	71979-2827	2.695 (68.45)	2.600 (66.04)	
28	56		71979-2628	71979-2728	71979-2828	2.795 (70.99)	2.700 (68.58)	
29	58		71979-2629	71979-2729	71979-2829	2.895 (73.53)	2.800 (71.12)	
30	60		71979-2630	71979-2730	71979-2830	2.995 (76.07)	2.900 (73.66)	
31	62		71979-2631	71979-2731	71979-2831	3.095 (78.61)	3.000 (76.20)	
32	64		71979-2632	71979-2732	71979-2832	3.195 (81.15)	3.100 (78.74)	
33	66		71979-2633	71979-2733	71979-2833	3.295 (83.69)	3.200 (81.28)	

NO. OF CKTS	OPTION D ASSEMBLY						DIMENSION	
	PLATINGS PER ES-88-(***) (SEE SHEET I FOR PLATING SPECIFICATIONS)						A	B
	PER ROW	TOTAL	15 GOLD	30 GOLD	50 GOLD			
34	68		71979-2634	71979-2734	71979-2834	3.395 (86.23)	3.300 (83.82)	
35	70		71979-2635	71979-2735	71979-2835	3.495 (88.77)	3.400 (86.36)	
36	72		71979-2636	71979-2736	71979-2836	3.595 (91.31)	3.500 (88.90)	

NOTE: ALL CONNECTORS ARE PACKAGED IN TUBES PER PK-70873-0138

X INDICATES TOOLING IS NOT AVAILABLE.

REMOVE 74-80 CKT
 FCC NO: UCP2007-0113
 DRAWN: JORGAN 2006/08/07
 CHKD: MS BARRA 2006/08/16
 APPR: SMILLER 2006/08/18
 REV: 1

QUALITY SYMBOLS


GENERAL TOLERANCES (UNLESS SPECIFIED)

	mm	INCH
4 PLACES	± .010	± .0004
3 PLACES	± .010	± .0004
2 PLACES	± 0.25	± .010
1 PLACE	± .010	± .0004
ANGULAR ±1/2°		

DIMENSION STYLE IN/MM

DRAWN BY	DATE
DJB	1995/03/15
CHECKED BY	DATE
APPROVED BY	DATE

SCALE ---

DESIGN UNITS INCH

THIRD ANGLE PROJECTION

SMT RECEPTACLE
 RIGHT ANGLE DUAL ROW
 WITH AND WITHOUT PEG

 MOLEX INCORPORATED

MATERIAL NO.

SEE CHART

DOCUMENT NO.

SDA-71979-****

SHEET NO.

10 OF 12

DRAFT WHERE APPLICABLE
 MUST REMAIN WITHIN DIMENSIONS

THIS DRAWING CONTAINS INFORMATION THAT IS PROPRIETARY TO MOLEX INCORPORATED AND SHOULD NOT BE USED WITHOUT WRITTEN PERMISSION